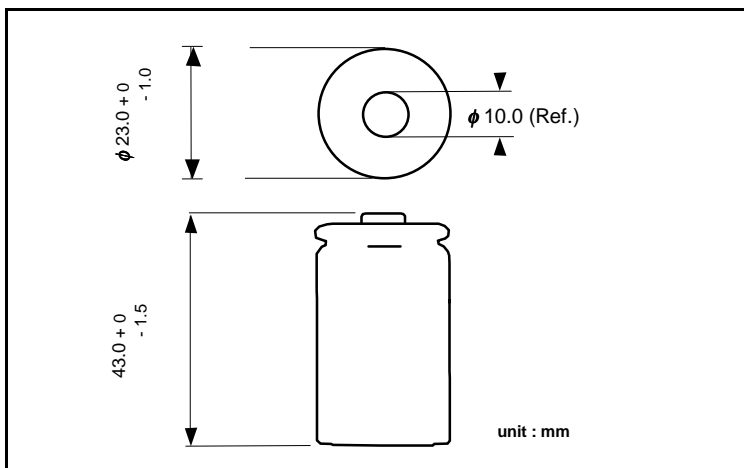


# GP Batteries

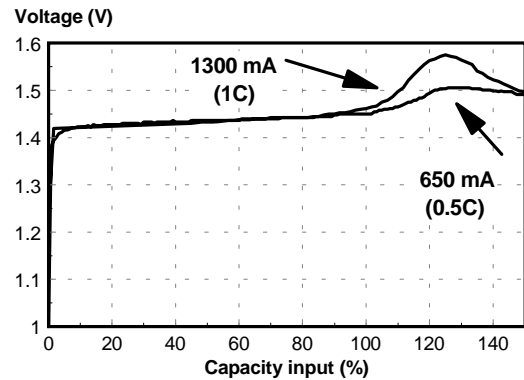
## Data Sheet

Model No.: GP130SCK

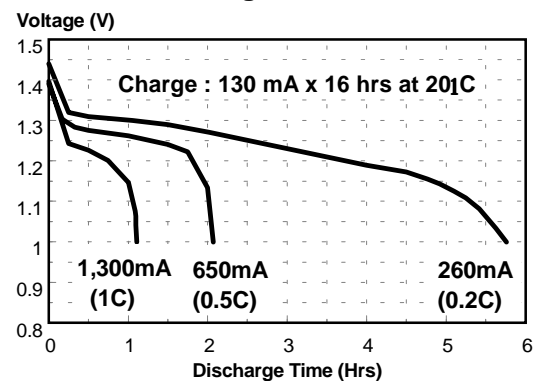
Type	: Rechargeable Nickel Cadmium Cylindrical Cell
Nominal Dimension (with Sleeve)	: $\varnothing = 23.0\text{mm}$ H = 43.0mm
Application	: Discharge current 130mA to 29A (Continuous) 58A (Momentary)
Nominal Voltage	: 1.2V
Nominal Capacity	: Minimum : 1300mAh Typical : 1430mAh when discharged at 260mA to 1.0V at 20°C
Charging Condition	: 130mA for 16 hrs at 20°C
Fast Charge	: 650mA to 1300mA (0.5C to 1C) with charge termination control. Recommended control parameter : - $\Delta V$ : 0-5mV dT/dt : 0.8°C/min (0.5C to 0.9C) 0.8-1°C/min (1C) TCO : 45-50°C Timer : 120% nominal input
Service Life	: 500 cycles (IEC standard)
Continuous Overcharge	: 130mA maximum current No conspicuous deformation and/or leakage
Weight	: 41.0g
Internal Resistance	: Average 8m $\Omega$ upon fully charged (Range : 7-10m $\Omega$ ) at 1000Hz
Max. Charging Voltage	: 1.5V at 130mA charging
Ambient Temperature Range	Standard Charging : 0°C to 40°C Fast Charging : 10°C to 40°C Discharging : -20°C to 50°C Storage : -20°C to 35°C Storage (1 week) : -20°C to 60°C



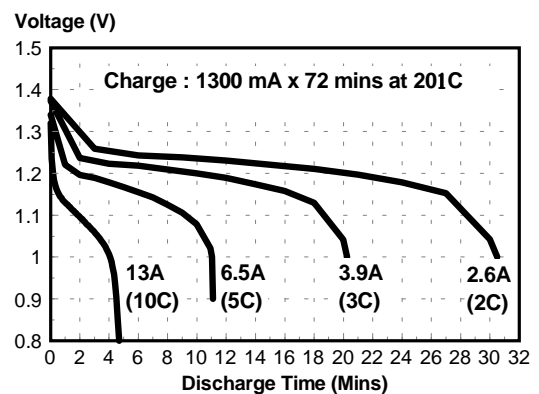
### Fast Charge (Charge Control required)



### Low Rate Discharge



### High Rate Discharge



\*The information (subject to change without prior notice) contained in this document is for reference only and should not be used as a basis for product guarantee or warranty. For application other than those described here, please consult GP Sales and Marketing Office or Distributors.